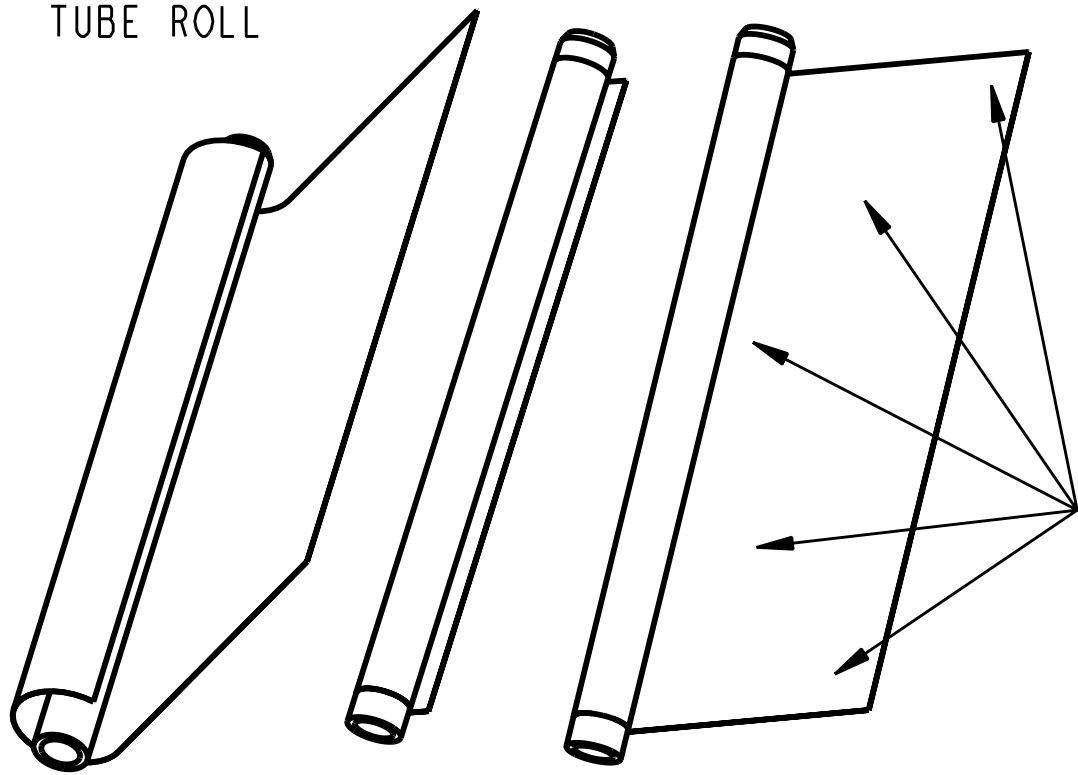


TUBE ROLL

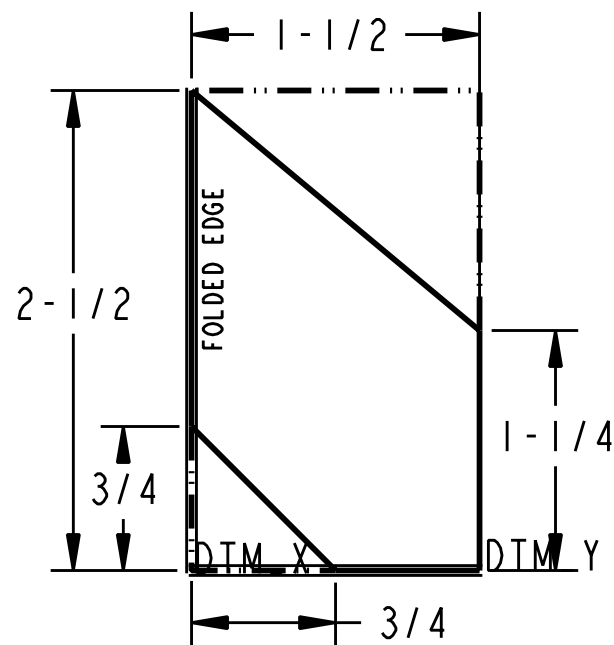


Roll paper around 3/4" CPVC piece of pipe to form a paper tube 11 inches long. Be sure to roll squarely, keeping the layered edges aligned.

Holding the paper tight and square, unroll the paper leaving at least one layer around the pipe.

Apply glue with glue stick to this surface making certain the edges are completely covered. Be careful not to get any glue on the pipe. Carefully re-roll to complete tube.

FINS



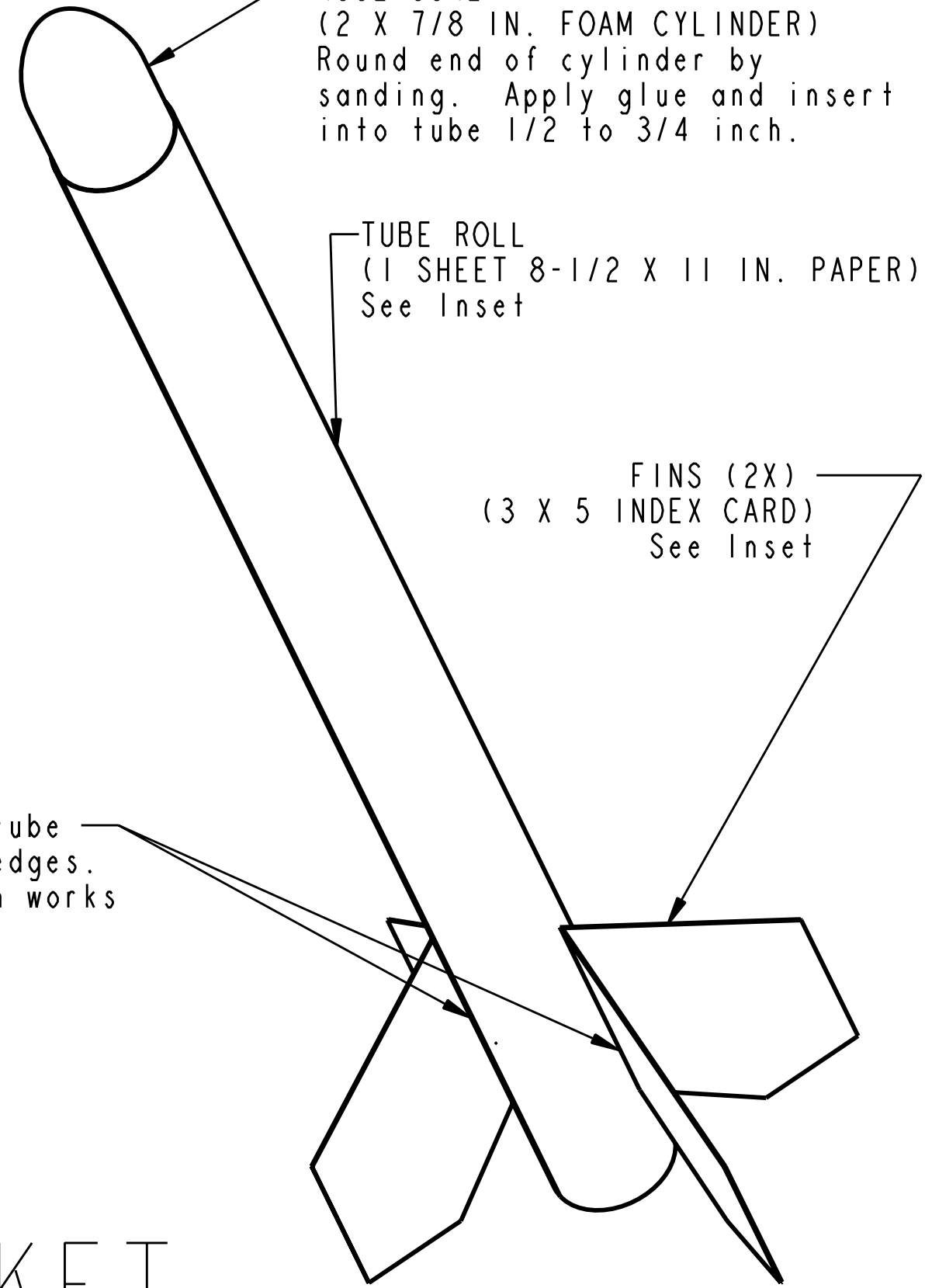
Cut a 3 x 5 inch index card in half to form two 3 x 2-1/2 rectangles. Fold each half in half and cut off the corners as shown.

Glue fins to tube along folded edges. A hot glue gun works well.

NOSE CONE  
(2 X 7/8 IN. FOAM CYLINDER)  
Round end of cylinder by sanding. Apply glue and insert into tube 1/2 to 3/4 inch.

TUBE ROLL  
(1 SHEET 8-1/2 X 11 IN. PAPER)  
See Inset

FINS (2X)  
(3 X 5 INDEX CARD)  
See Inset



ROCKET

FIRST FLIGHTS CLASS