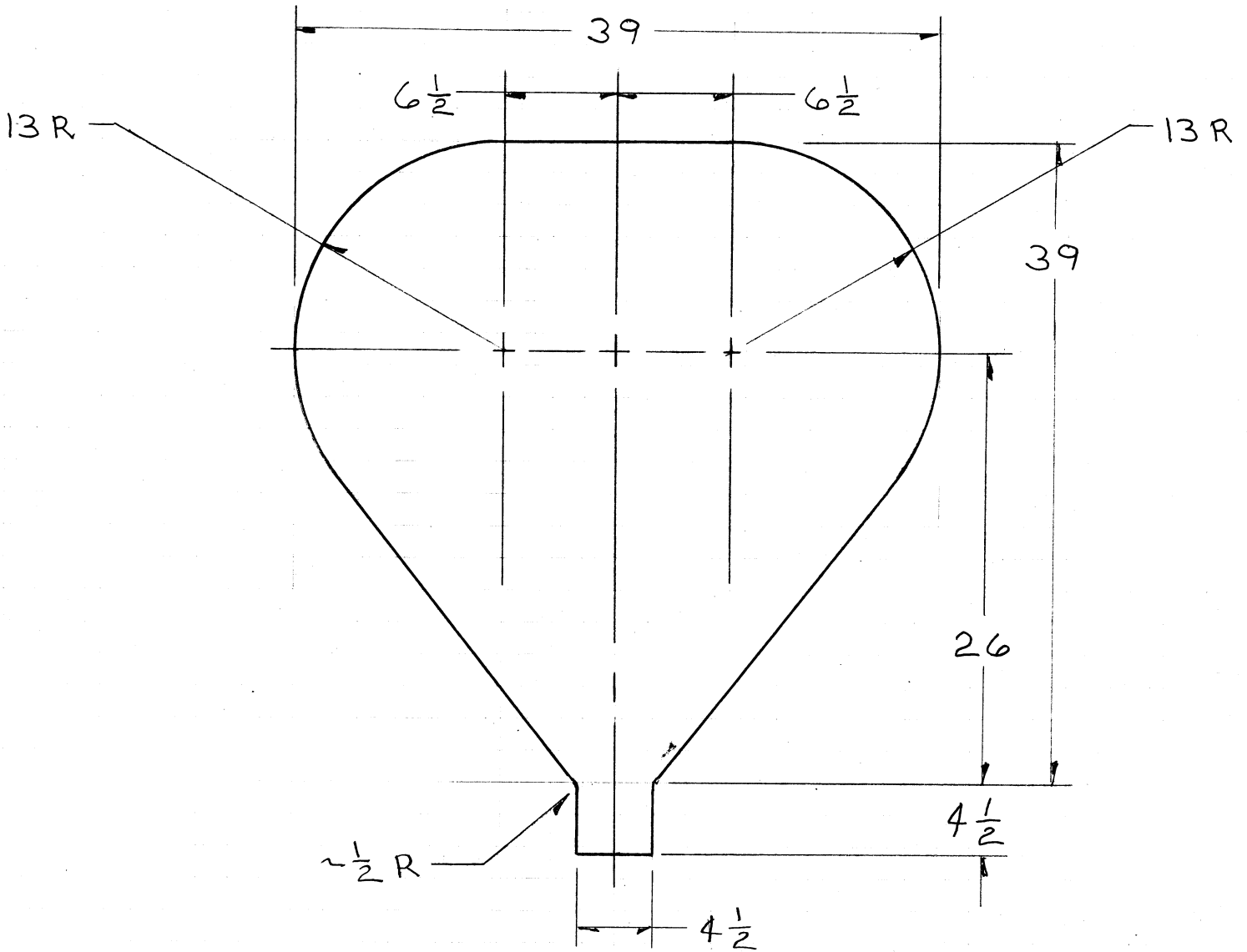
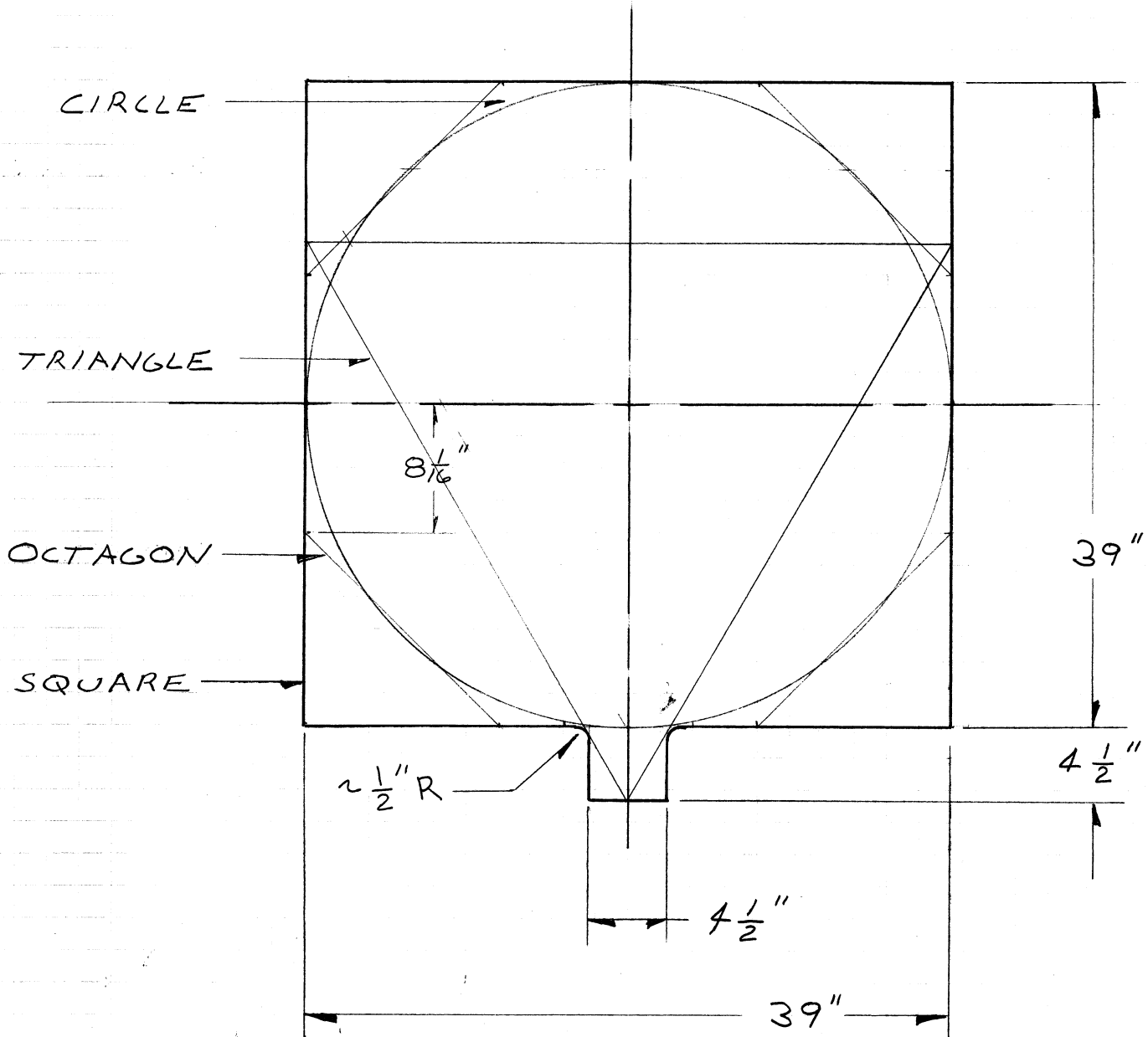


# BALLOON PATTERN



Note: The bottom of the balloon was sized to fit around a Wagner model # HT3500 heat gun. If something else is used to inflate the balloon, these dimensions may need to be modified.

# BALLOON PATTERNS



Note: The bottom of the balloon was sized to fit around a Wagner model # HT3500 heat gun. If something else is used to inflate the balloon, these dimensions may need to be modified.